



Quality First For Performance That Lasts

CVD650LCD Quick Installation Guide

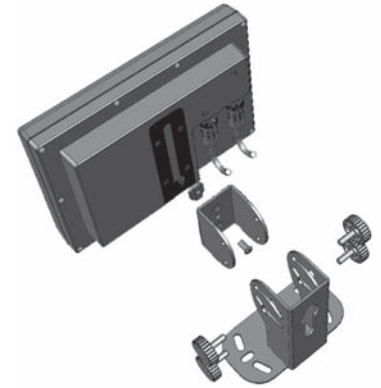
Included in the box:

- 1 - CVD650LCD - Display
- 1 - Sun Shield Kit
- 1 - Mounting Bracket
- 1 - Mounting Bolt Set

1 Determine a secure mounting location for your Car Vision display and install the display bracket with the hardware provided. The display can be mounted either overhead or on a flat surface such as the dashboard.

Note: Be sure not to obscure your forward or side visibility with the display.

Warning: The orientation of the image displayed is critical to safe vehicle operation. An object on the right side of your vehicle needs to be seen on the right side of the display screen. Always confirm proper image orientation before driving or operating your vehicle. Image orientation is field selectable on most cameras and displays.



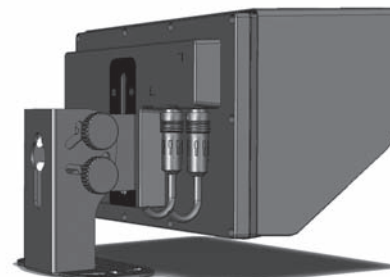
2 Assemble the bracket support to the display with the "T" slot nut and bolt provided.



3 Assemble the display to the bracket.



4 Connect the controller and remote cables by aligning the alignment marks on the connectors and push together until locked.



5 If desired, install the sun shield with the adhesive Velcro provided.

For a more detailed set of installation instructions, please visit www.intecvideo.com/support.html
You may also call us toll free at 800-468-3254 (West) or 800-522-5989 (East) with any questions. Rev A 01/2015